

DATASHEET

Date of last revision: 21.01.2021

Product name	Large-size numerical display – digital wall thermometer		
Type / Model	CDN 100/3 T RG L20 230AC 1WIRE		
Order Codes	ZZ0824-1.10 (display)	ZZ0535-B.002 (sensor)	ZINE-0047 (remote control)



This set of numerical display, temperature sensor and IR remote control is designed to measure and display air temperature in large format. The temperature sensor is attached to display with cable and can be installed up to 2 meters from display.

Display has super-bright 3-color 7-segment modules with digit height 10 cm. LED color can be set with IR remote control to red, green, or yellow. It is also possible to set the temperature limits (high and low) and displayed values will change color when these limits are exceeded. Construction of display is made of aesthetic anodized aluminum frame platinum matt color and dim gray front glass. Back panel is from steel, painted with black powder paint. These displays are suitable for use in indoor environment only, but temperature probe can be installed indoor or outdoor. Flexible power cord for connecting to power mains is attached to back panel of display.

Technical Specifications - Display

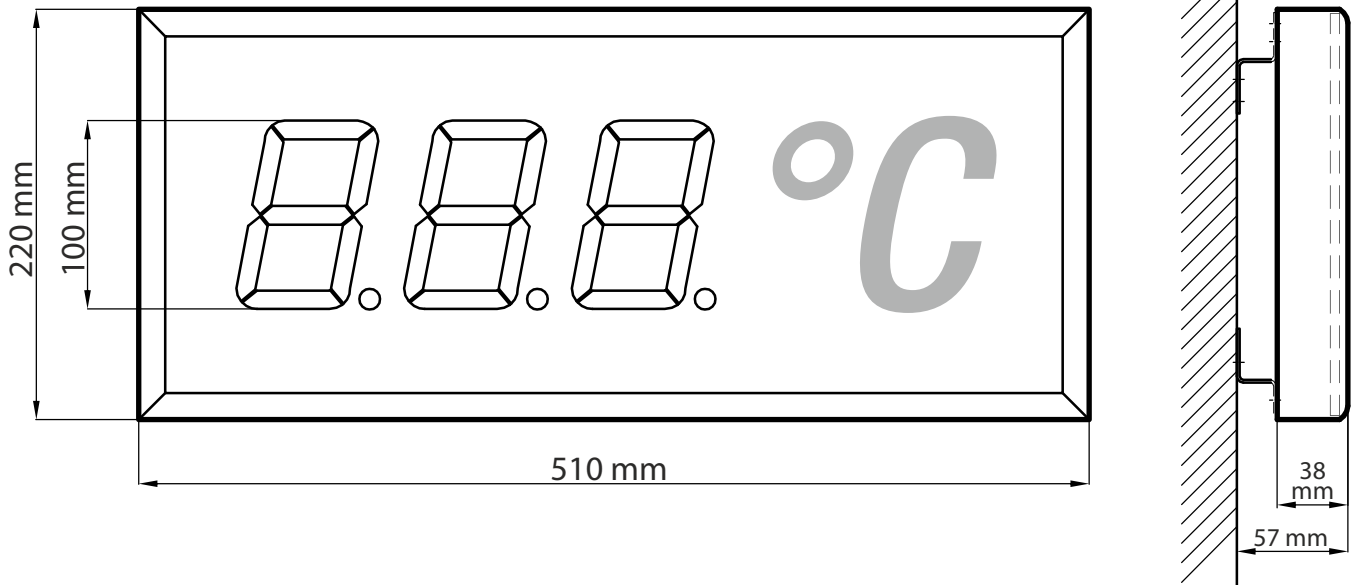
Number of digits	3
Height of digits	100 mm
Readability range	up to 40 meters max.
LED type	high brightness 7-segment LED modules
LED color	3-colors: red, green, yellow (color can be set by IR remote control)
Viewing angle	120°
Fixed labels	°C
Frame color / type	platinum matt / aesthetic anodized aluminum
Front cover	tinted acrylic glass with non-glare surface
Connections	1x power supply 230 VAC (2 m cable with EU plug)
Class of protection	IP 20 (display is for indoor use only, probe can be installed indoor or outdoor)
Power supply	230 VAC (110 VAC also possible on request)
Power consumption	5 W
Dimensions	510 mm x 220 mm x 38 (57) mm
Weight	2,1 kg
Accessories included	mounting brackets, power cord, temperature sensor, IR remote

Technical Specifications - Temperature Sensor

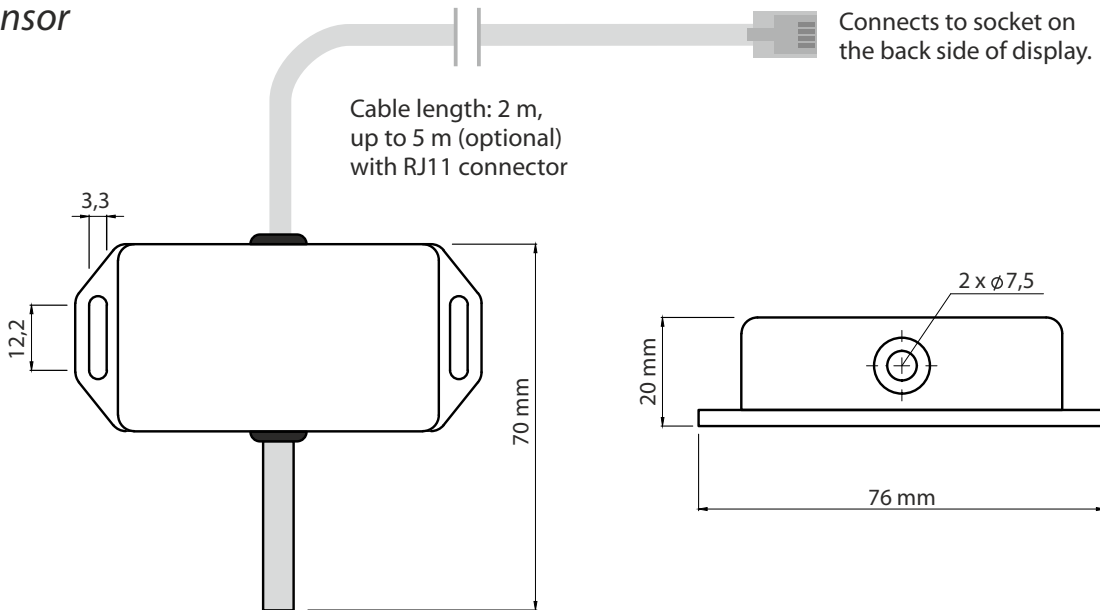
Temperature measurement range	-30°C ~ +70°C
Temperature precision	+/- 0,5°C (for indoor temperature range)
Cable length	2 m (or up to 10 m as option)

Dimensional Drawings

Display



Sensor



Notes:

1. Power supply cable for 230 VAC is attached to display through cable gland on the back panel (cable length 2 m).
2. Wall hanging brackets for display are included with delivery.
3. Sensor cable length is 2 m as standard, other lengths e.g. 5 m or 10 m is possible on request.
4. The maximum range of the IR remote control is 25 m from display.