



SWZ-W610

- ❑ large-size digital temperature, humidity and clock display
- ❑ RS-485 / Modbus RTU
- ❑ indoor applications
- ❑ alternate display of hour, date, temperature or humidity
- ❑ option: external temperature and humidity sensor
- ❑ 8-step adjustment of brightness for the display
- ❑ available with AC and DC power supply
- ❑ free configuration software S-Config

The **SWZ-W610** digital clock displays current time on 6 digits, high brightness, LED display. The reading are shown in sequence: present time (hours, minutes and seconds), present date (day of month, month and two last digits of year) temperature and humidity (while the device is equipped with optional temperature and humidity sensor). The time is presented in 24-hours mode only and internal battery preserves proper time counting, even if device is turned off from power supply. The device is intended for an indoor operation. The display is available in red colour. An IR receiver allows for device reprogramming without the need to remove the casing. An optional remote controller enables remote setting of all clock parameters. On request, the clock can be equipped with an external temperature or/and humidity sensor. The clock can be configured with the local keyboard or free S-Config software via the RS-485 communication port.

DANE TECHNICZNE

www.aminstruments.be

Power supply	19V ÷ 50V DC; 16V ÷ 35V AC or 85 ÷ 260V AC/DC, all separated; non-removable, 3V, Li internal clock battery
Power consumption	for 85 ÷ 260V AC/DC and 16V ÷ 35V AC power supply: max. 11 VA; for 19V ÷ 50V DC power supply: max. 10 W
Display	LED, red, 4 x 100 mm + 2 x 57 mm, with 8-steps brightness regulation
Inputs	- temperature sensor module designed to digital temperature sensor, 2-wire connection - temperature and humidity sensor module designed to digital temperature and humidity sensor, 4-wire connection
Displaying range (depends on sensor type)	SCT-650, SCT-653: temperature range -40°C ÷ 85°C, resolution 1°C SCT-750, SCT-753: temperature range -40°C ÷ 120°C, resolution 0,1°C; humidity range 0 ÷ 100% RH, resolution 1% time: 24h format (hours, minutes, seconds) date: day of month, month, 2 last digits of year
Outputs	24V DC ± 5% / max. 100 mA 5V DC ± 5% / max. 50 mA, for measurement sensor supply
Communication interface	RS-485, 8N1 and 8N2, 1200 bit/s ÷ 115200 bit/s, Modbus RTU (not galvanically isolated)
Data memory	non-volatile memory, EEPROM type
Operating temperature	0°C ÷ +50°C
Storage temperature	-10°C ÷ +70°C
Protection class	IP 30
Case	wall mounted; aluminium + methyl polymethacrylate
Dimensions (WxHxD)	578 x 208 x 102 mm

TYPICAL APPLICATIONS

1. wherever there is a need for readable time, temperature and humidity readings from a large distance.
2. in the public facilities: banks, post offices, schools, universities, swimming pools, sports arenas, hotels.
3. in a corporation's lobby.

LED DISPLAY VERSIONS



Clock

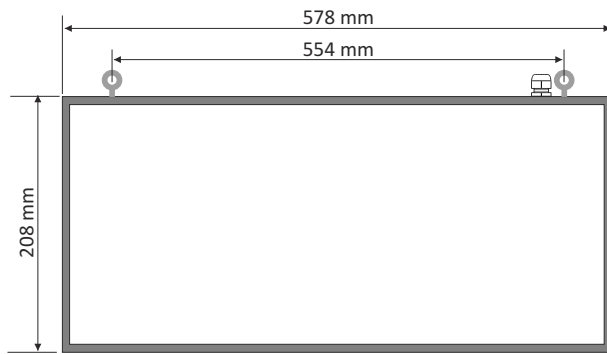


Temperature



Humidity

DIMENSIONS



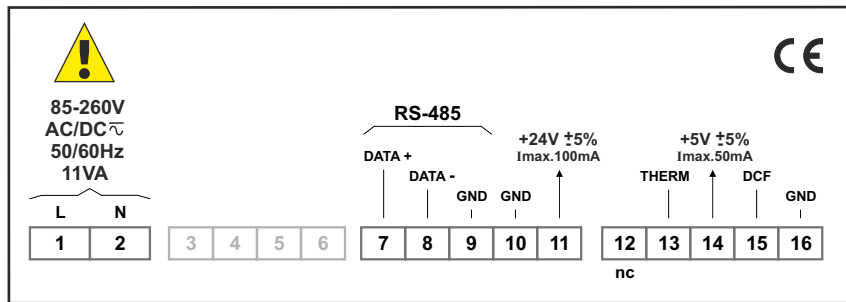
Case dimensions



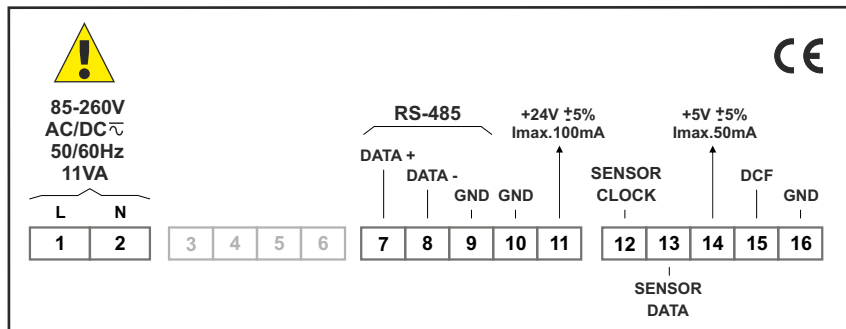
Side view

www.aminstruments.be

EXAMPLARY PIN ASSIGNMENTS



version with 2-wire connection



version with 4-wire connection



ORDERING

SWZ-W610-XX00-1-X-001

input:

00 : clock
 1F : clock + temperature sensor **SCT-650**
 1J : clock + temperature sensor **SCT-653**
 2H : clock + temperature / humidity sensor **SCT-750**
 2K : clock + temperature / humidity sensor **SCT-753**

power supply:

3 : 24V AC/DC
 4 : 85V - 260V AC/DC



TEMPERATURE / HUMIDITY SENSORS

SCT-650: temperature sensor, measuring range: $-40^{\circ}\text{C} \div +85^{\circ}\text{C}$, diameter: $\varnothing 6$ mm, built in the SWZ-W610

SCT-653: temperature sensor, measuring range: $-40^{\circ}\text{C} \div +85^{\circ}\text{C}$, diameter: $\varnothing 6$ mm, cable length: 3 m

SCT-750: temperature / humidity sensor, measuring range: $-40^{\circ}\text{C} \div +120^{\circ}\text{C}$, diameter: $\varnothing 8$ mm, built in the SWZ-W610

SCT-753: temperature / humidity sensor, measuring range: $-40^{\circ}\text{C} \div +120^{\circ}\text{C}$, diameter: $\varnothing 8$ mm, cable length: 3 m



REMOTE CONTROLLER

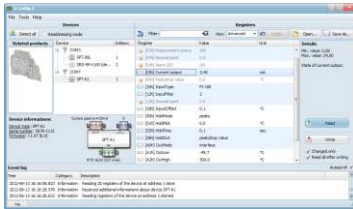


SIR-15

InfraRed remote controllers may be used as external programming keyboard for all SIMEX devices equipped with IR receivers and remote programming functions. Pressing of any local IR controller key, causes transmission of its code to the device. Functions of particular keys depend on devices features.

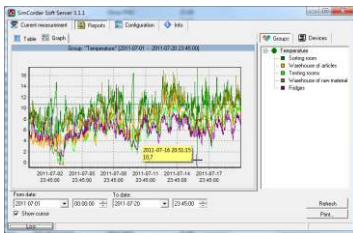
Power supply voltage: 6V DC - 4 alkaline batteries type LR44
 Operation range: from 0,5 to 5 m (depend on programmed device features)

SOFTWARE



S-Config 2 is used for the simultaneous detection of devices in multiple Modbus RTU networks and allows user to change the configuration of most of them. For each detected device a list of its registers, which the user can modify, is displayed and also additional informations about device parameters (type, address in the network, etc.).

S-Config software can be downloaded from SIMEX website at www.simex.pl



SimCorder Soft is a visualisation application created to facilitate work with advanced networks of the SIMEX devices, for acquisition, visualisation, reporting, archiving, exporting and printing of measurement data from all network devices. You can download measurements from the devices automatically or on demand. There is a possibility of immediate notification about emergency states via SMS or e-mail, which will often allow to quickly resolve an arising problem while avoiding long and expensive stoppages. You can view the measurement data, emergency states and configuration via the internet at every time.

www.aminstruments.be

CONVERTERS



The **SRS-U4** module is designed to connect a USB host to slave devices equipped with RS-485 interface. The PC with special software can be used as a host. The **SRS-U4** unit guarantees full galvanic isolation between USB and RS-485 circuits. The converter can work with any devices equipped with RS-485 interface and contains integrated circuit which supports USB 1.1 and USB 2.0 standards. The main purpose is connection of PC host computer with industrial data acquisition and visualisation systems based on RS-485 interface.

The **SRS-U4** can be also manufactured with DIN mounting adaptor.

Advanced Measuring Instruments B.V.
 Hoofdkantoor: Zandstraat 4D-B 9270 Laarne
 T. +32 (0)4 95 57 81 85 – info@am-instruments.be
 BTW BE 0765437094 – RPR Gent – Belfius IBAN BE65 0689 4079 0596

