



SWH-10-4

## SWH-10, SWH-20

- for meters in panel cases
- wall mounting
- polycarbonate enclosure
- TPE gasket
- high IP 65 protection degree

**Examples:**



SWH-20-5



SWH-20-4



SWH-20-3



SWH-10-4



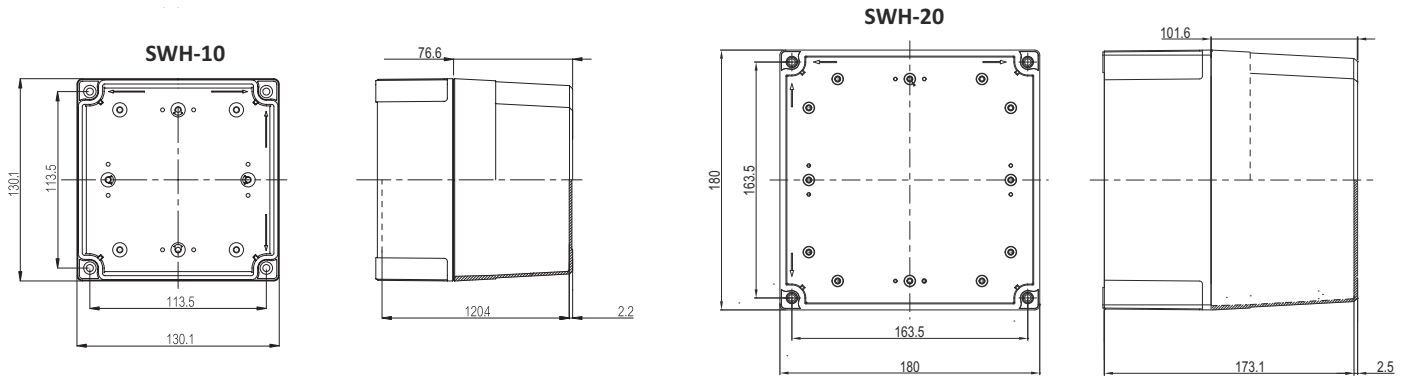
SWH-10-2



SWH-10-1

Simex offers a variety of rugged enclosures that provide a high degree of protection against harsh operating environments. Process meters and controllers can be mounted so that all programming and operational functions are available without opening the enclosure. Enclosures and meters are ordered and packaged separately.

**DIMENSIONS**



**TECHNICAL DATA**

Operating temp.	-40°C ÷ +60°C (enclosure)
Protection class	IP 65, while maintaining the appropriate assembly conditions
Materials	enclosure: polycarbonate, gasket: TPE, cover screws: poliamid
Dimensions	<b>SWH-10:</b> 130 x 130 x 125 mm; <b>SWH-20:</b> 180 x 180 x 125 mm; mounting holes: 4 x Ø4
Connection	cable glands: standard 3 pcs, on request from 4 to 11 x M12 (clamping capacity 3 ÷ 6,5 mm) or from 4 to 7 x M16 (clamping capacity 4 ÷ 8 mm) on request Ethernet or USB A connector, IP 65
Mechanical resistance	IK07 (EN 62262)



**ORDERING**

SWH-10-X-X-X

**hole:**  
1 : 73  
2 : 77  
4 : 99

**number of available glands:**  
0 : no glands (with E)  
from 1 to 7 pcs. (M12)  
from 1 to 4 pcs. (M16)

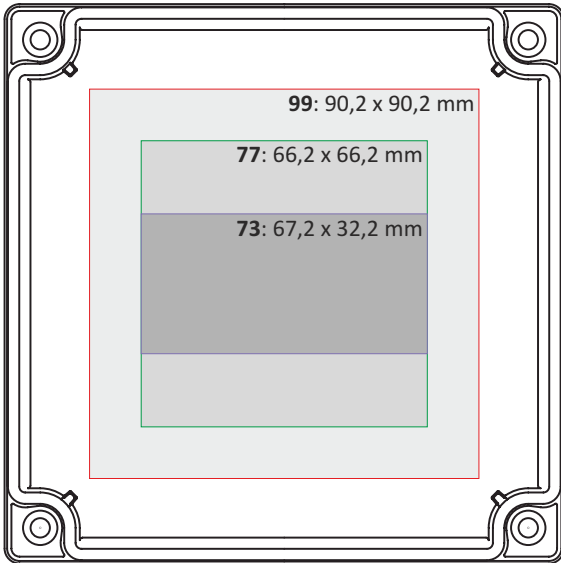
**glands:**  
E : no glands  
1 : M12  
2 : M16

SWH-20-X-X-X

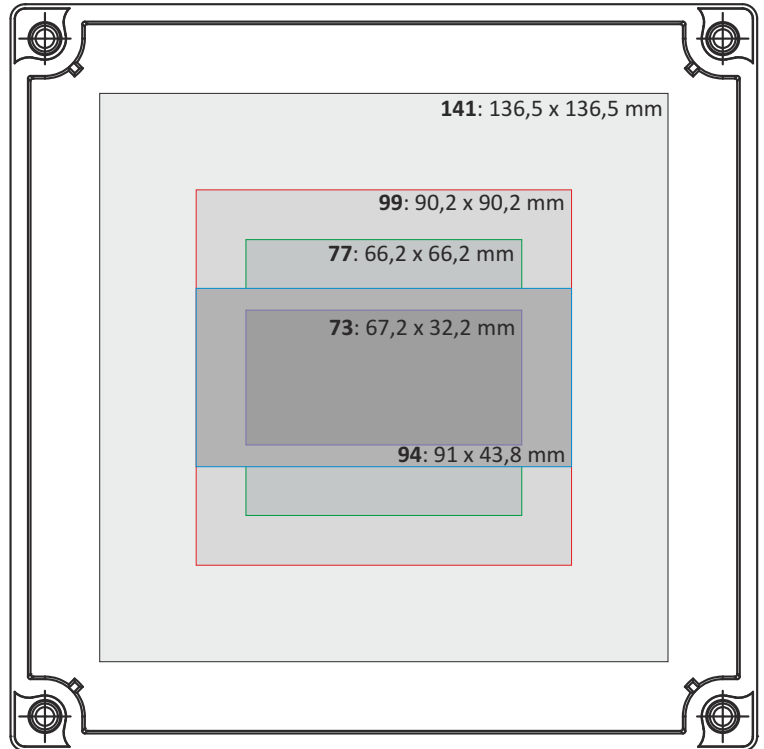
**hole:**  
1 : 73  
2 : 77  
3 : 94  
4 : 99  
5 : 141

**number of available glands:**  
0 : no glands (with E)  
from 1 to 11 pcs. (M12)  
from 1 to 7 pcs. (M16)

**glands:**  
E : no glands  
1 : M12  
2 : M16



SWH-10



SWH-20

